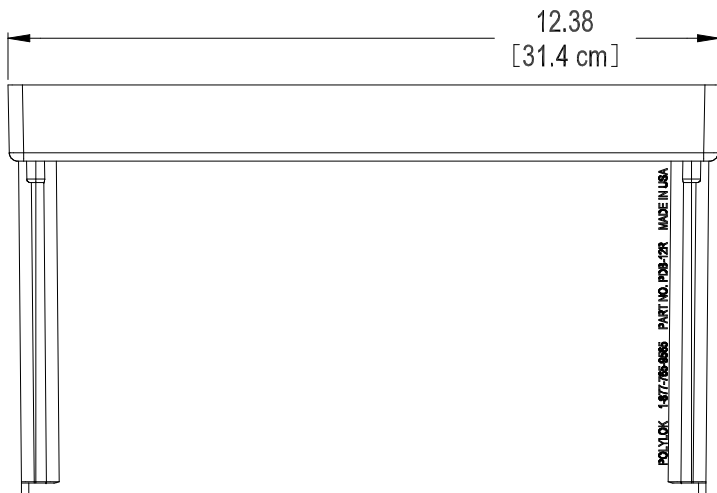
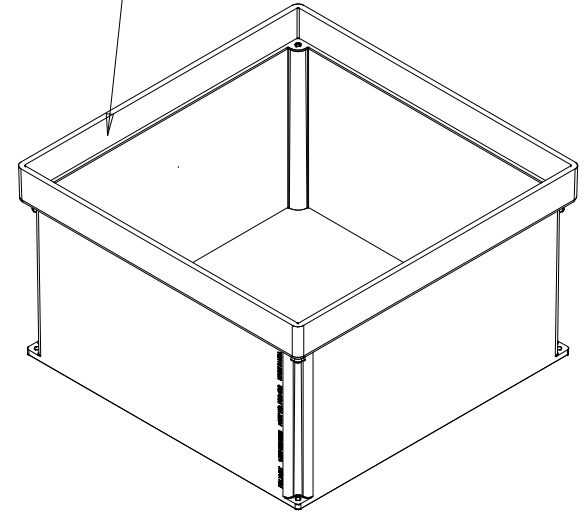


TOP FITS POLYLOK PART NO.:  
 PRD-12C - COVER  
 PDB-12G - GRATE  
 PRD-12GM - METAL GRATE



BOTTOM FITS POLYLOK PART NO.:  
 PDB-12B - DRAIN BOX  
 3016-DB12 - 12 X12 D-BOX

POLYLOK 12 X 12 RISER  
 PART NO. PDB-12R  
 MATERIAL - POLYPROPYLENE  
 COLOR - BLACK

