

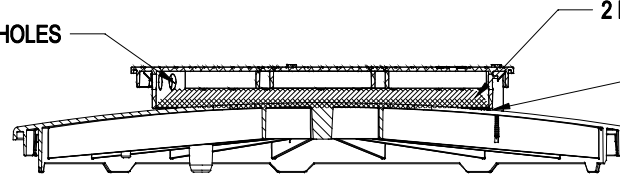
**CHARCOAL COVER SPECIFICATIONS:
ASSEMBLY CONSISTING OF;**

- 1- 3009-RC 20" DOME [50.8 cm] COVER
- 1 - 3017-C12 12" [30.48 cm] COVER
- 4- ABS BUSHINGS
- 4- #10 X2" SCREWS
- 2 LBS.[.907kg] ACTIVATED CARBON PELLETS
IN NETTED POLYESTER BAG

28 - 3/4" [1.905 cm] HOLES

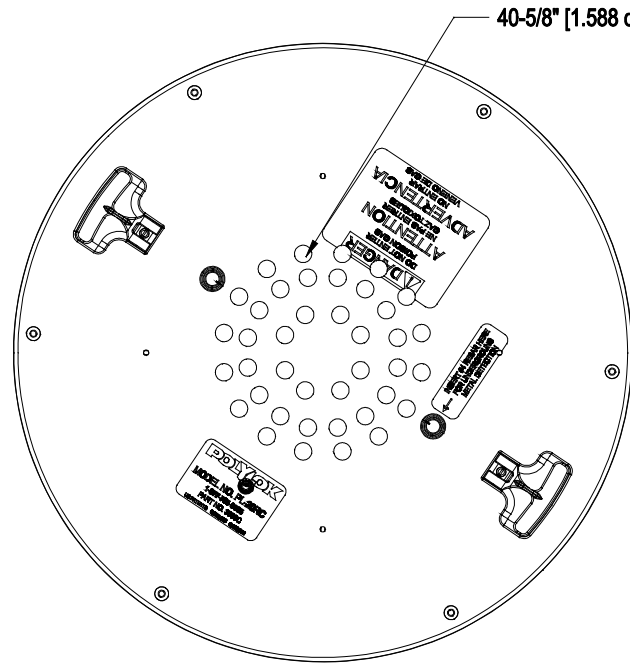
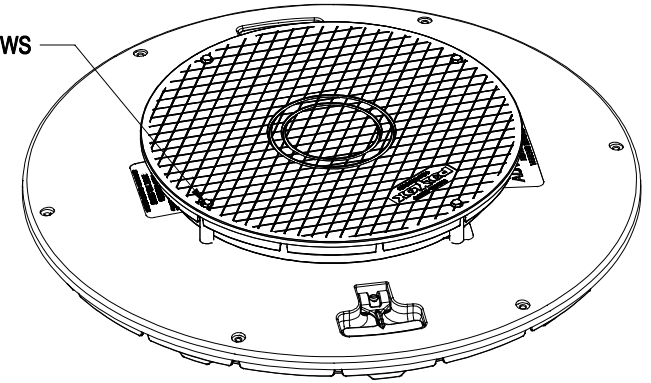
2 LBS.[.907kg] ACTIVATED CHARCOAL PELLETS

1/8" X 1/4" [.318 cm X .635 cm]
EPDM CLOSED CELL FOAM GASKET



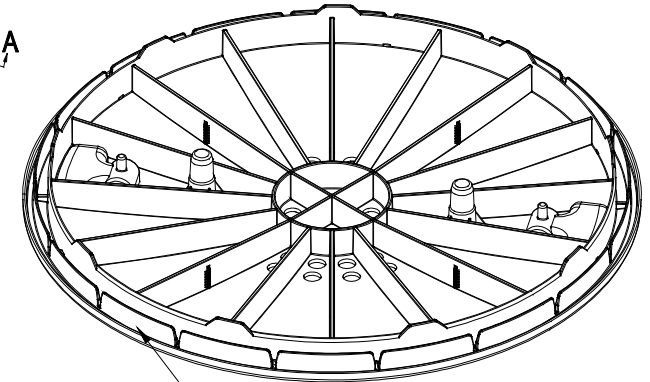
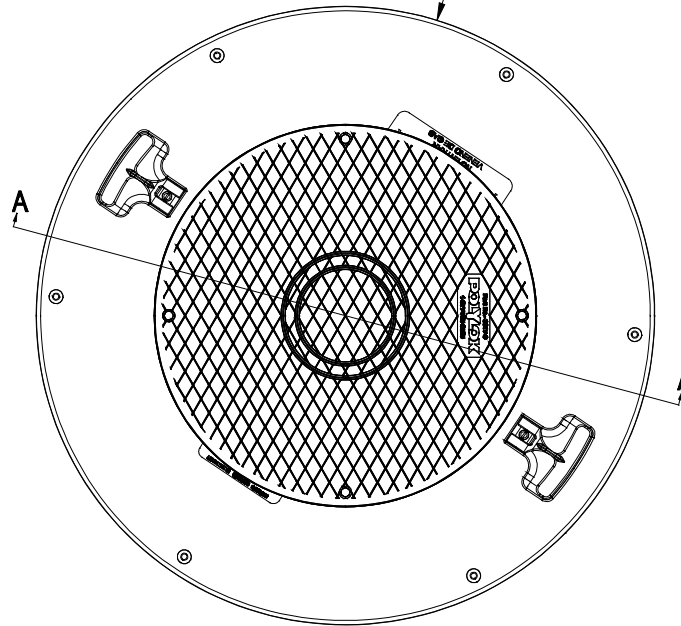
SECTION A-A

4- #10 X 2" SCREWS



40-5/8" [1.588 cm] DIA HOLES

Ø22.270



BOTTOM DETAIL FITS POLYLOK
PART NO. - 3009

- 3009-R12
- 3009-AR
- 3009-RTR20
- 3009-RP

POLYLOK 20" DOMED ACTIVATED CHARCOAL COVER
PART NO. 3009-ACC-RC
MATERIAL - HDPE
COLOR - GREEN
VENTED AREA - 12.27 SQ. IN. [79.16 CU.CM]

