

CHARCOAL COVER SPECIFICATIONS:

ASSEMBLY CONSISTING OF;

1- 3007-HDC 18" [45.7cm] COVER

1 - 3017-C12 12" [30.48 cm] COVER

4- ABS BUSHINGS

4- #10 X2" SCREWS

2 LBS.[.907kg] ACTIVATED CARBON PELLETS
IN NETTED POLYESTER BAG

28 - 3/4" [1.905 cm] HOLES

2 LBS. [.907 kg] ACTIVATED CHARCOAL PELLETS

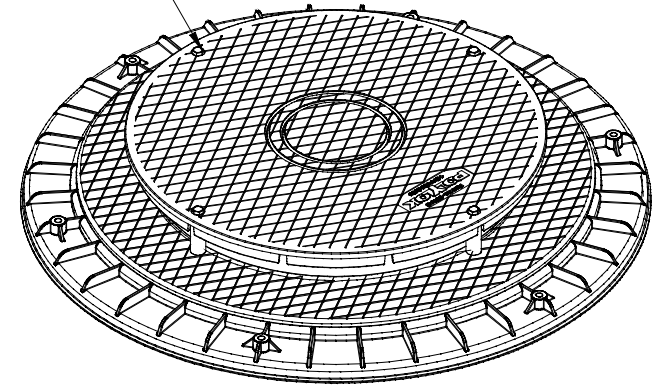
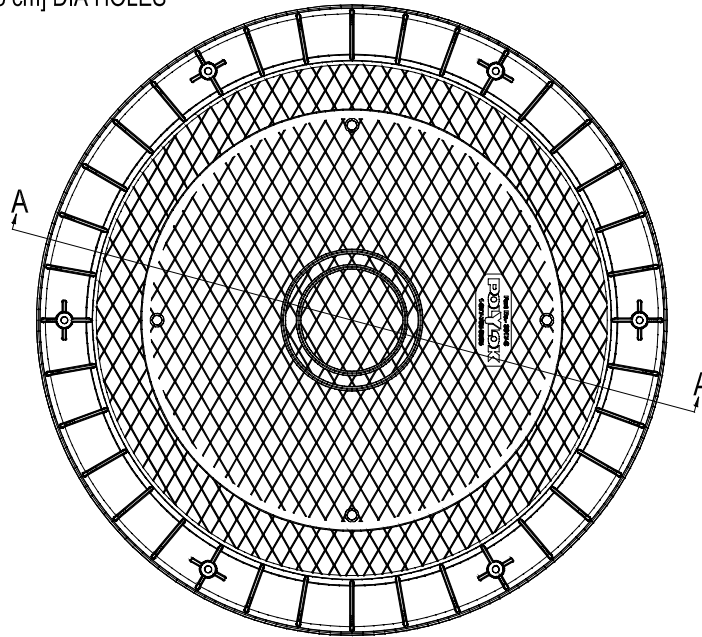
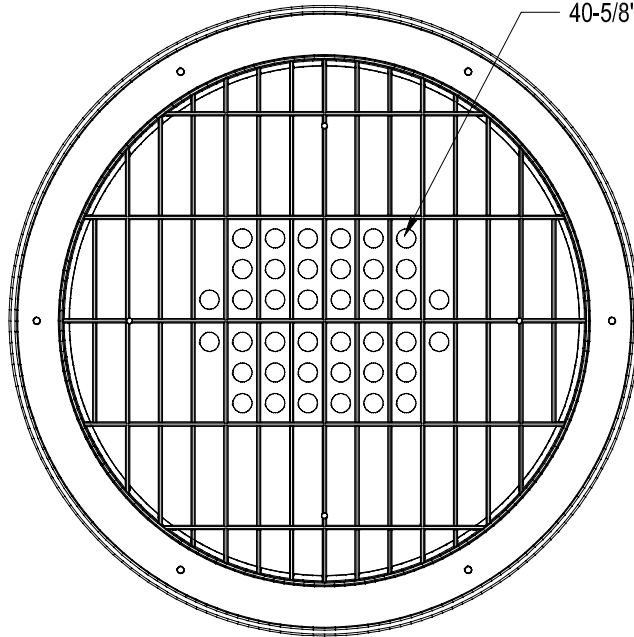
1/8" X 1/4" [.318 cm X .635 cm]
EPDM CLOSED CELL FOAM GASKET

3/8" X 1 1/4" [.953 cm X 3.175 cm]
EPDM CLOSED CELL FOAM GASKET

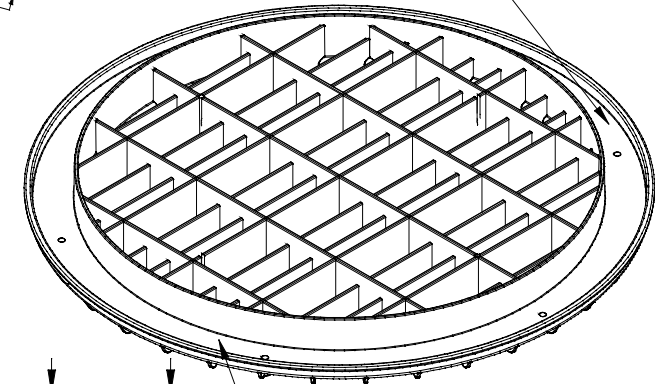
SECTION A-A

4- # 12 X 3" SCREWS

40-5/8" [1.588 cm] DIA HOLES



EPDM FOAM GASKET
INSTALLED HERE



BOTTOM DETAIL FITS ALL
18" [45.72 cm] SMOOTH
WALL CORRUGATED
AND RIBBED PIPE

POLYLOK 18"ACTIVATED CHARCOAL COVER

PART NO. 3007- ACC

MATERIAL - HDPE

COLOR - GREEN

VENTED AREA - 12.27 SQ. IN. [79.16 CU.CM]

