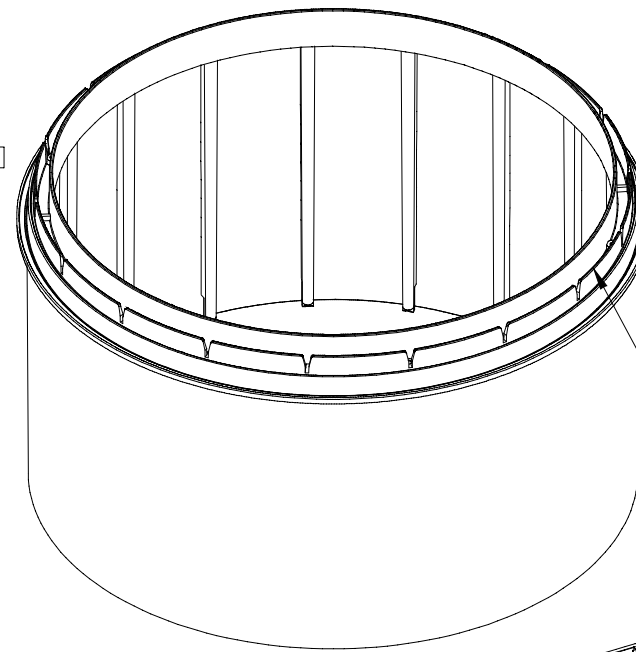
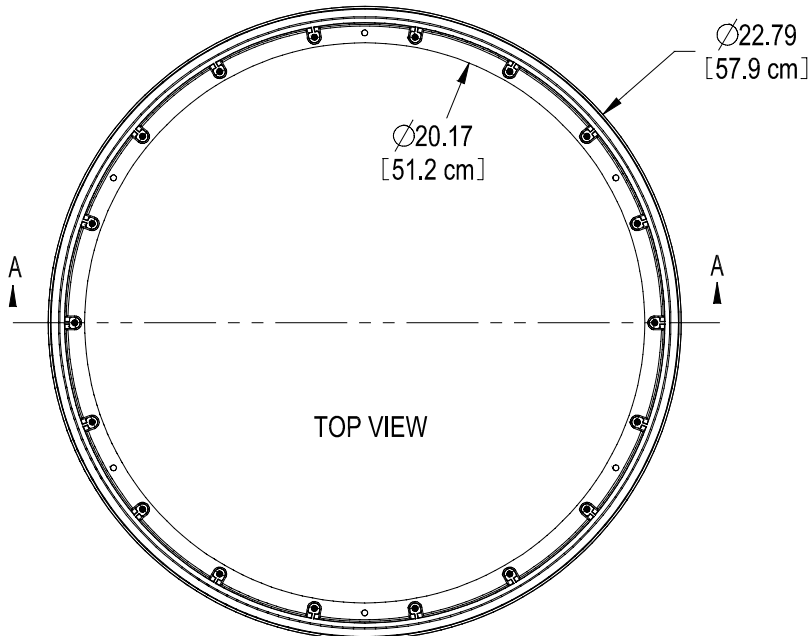


SECTION A-A

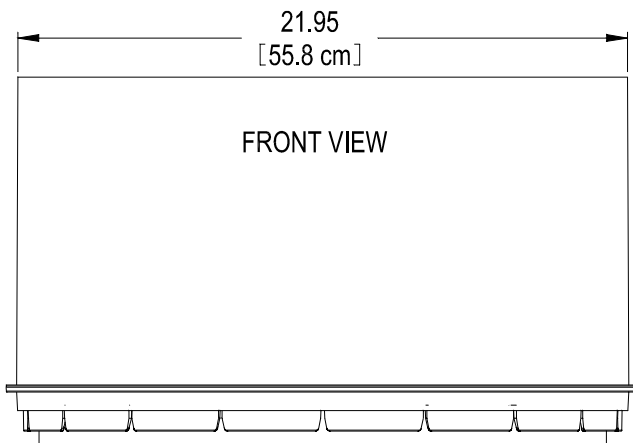
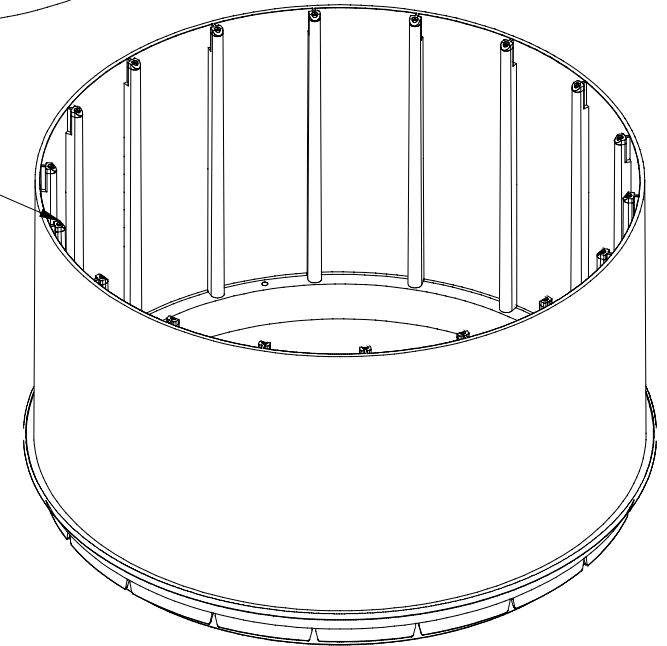


BOTTOM DETAIL FITS POLYLOK  
 PART NO. - 3009  
 3009-R12  
 3009-AR  
 3000-RTR20  
 3009-RP  
 3017-20



TOP VIEW

TOP DETAIL FITS POLYLOK  
 PART NO.- 3009  
 3009-R12  
 3009- RC  
 3017-C20  
 3017-G20



FRONT VIEW

POLYLOK 12" X 20" RISER  
 PART NO. 3009-R12  
 MATERIAL - HDPE  
 COLOR - GREEN