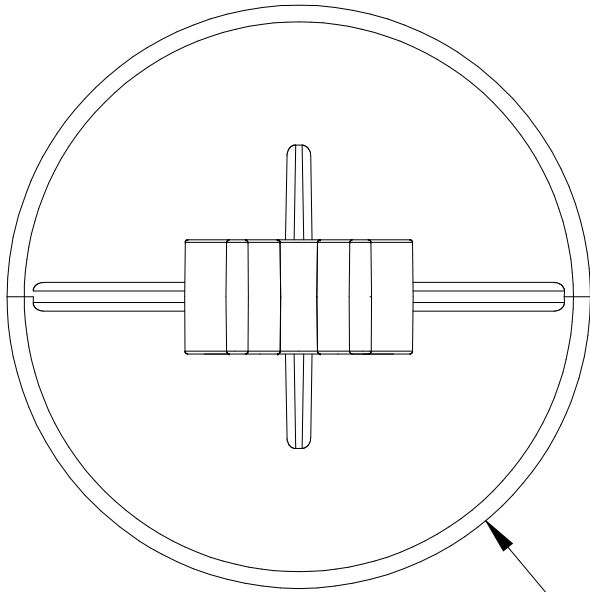


POLYLOK 1" REBAR MESH CHAIR
PART NO. 3060-TMC100
MATERIAL - POLYPROPYLENE



Ø2.03
[51.6 mm]

