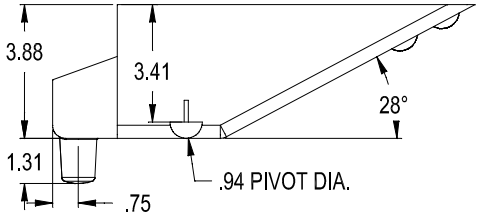
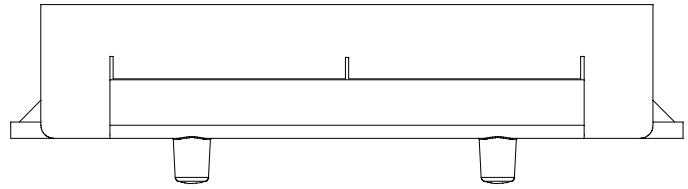
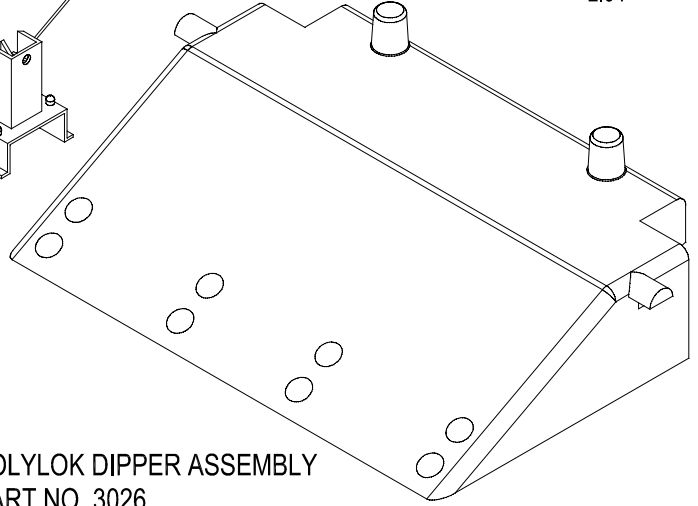
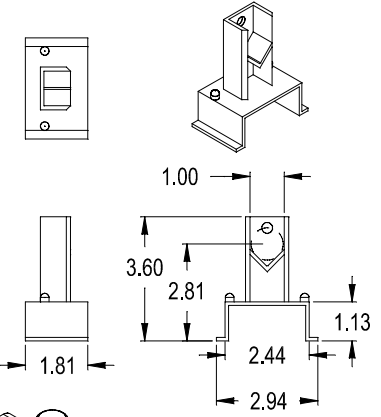


THIS SECTION MUST BE FILLED WITH CONCRETE TO PROVIDE PROPER BALANCE WEIGHT



POLYLOK DIPPER ASSEMBLY
PART NO. 3026
MATERIAL :
TRAY - FILLED POLYPROPYLENE
PIVOT SUPPORTS - NYLON