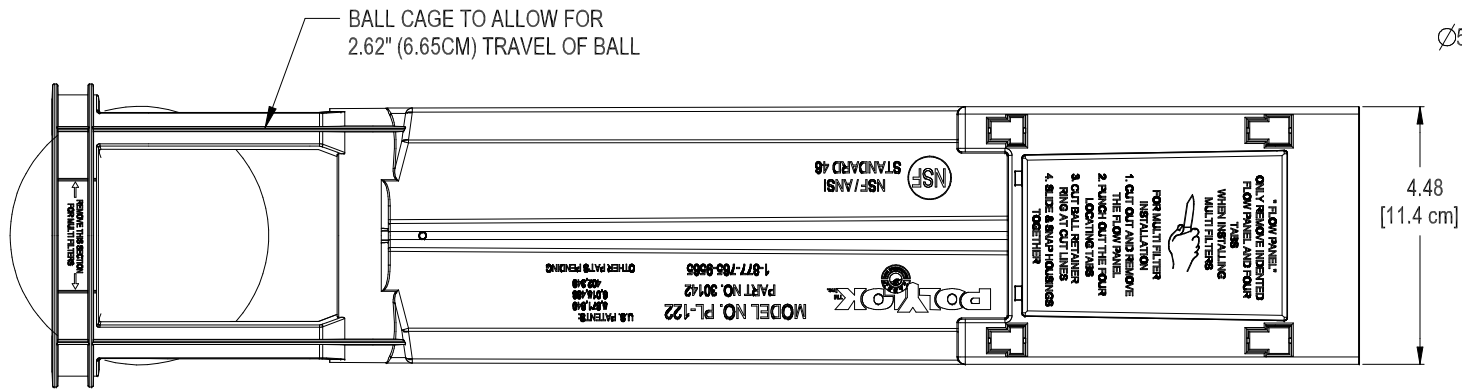
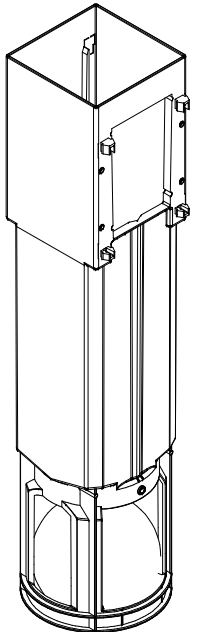
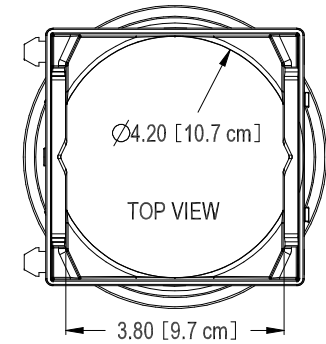


FRONT VIEW

SCREW BOSS TO ALLOW FOR PIPE EXTENSION IF REQUIRED

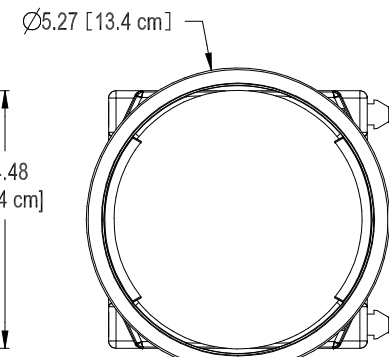
4 1/2" (11.43CM) DIA. POLYETHYLENE HERMETIC BALL

4 CLIPS TO RECEIVE PART NO.  
 30145 (PIPE ADAPTER)  
 30144 (B.R. ADAPTER)  
 30142 (HOUSING)



BACK VIEW

PL-122 HOUSING  
 PART NO. - 30142  
 MATERIAL - POLYPROPYLENE  
 COLOR - WHITE



BOTTOM VIEW

