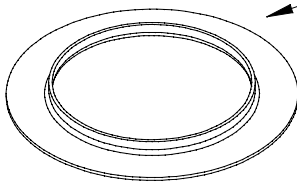
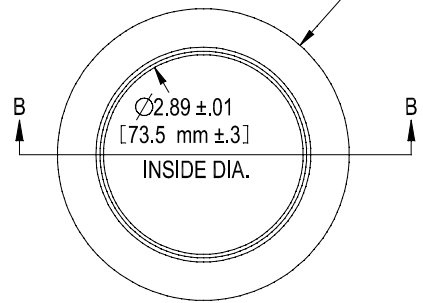


TACK WELDED WITH LAP OR BUTT JOINT  
ID OF BARREL SIZED TO FIT OVER FLANGES

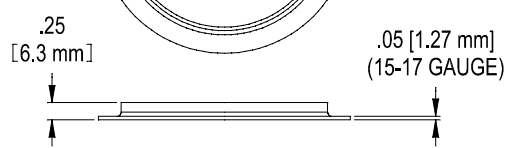
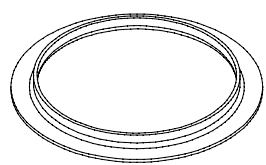
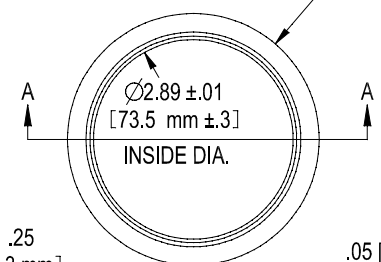
$\varnothing 4.23 \pm .02$  OD  
[107.4 mm  $\pm$  .5]

SECTION B-B



SECTION A-A

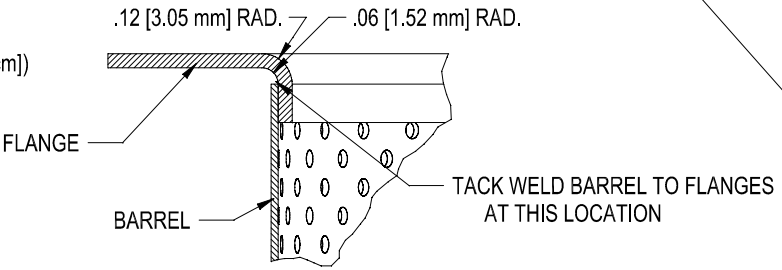
$3.65 \pm .01$  [9.3 cm  $\pm$  .0]



17.77 - 17.71  
[451.3 - 449.7 mm]  
PERFORATED  
SCREEN

$17.99 \pm .02$   
[456.9 mm  $\pm$  .5]

FILTER BARREL  
MATERIAL - ROLLED 22 GAUGE (.025 [.064 cm])  
304 OR 316 STAINLESS STEEL  
1/16" [1.58 mm] PERFORATED SCREEN  
3/32" [2.38 mm] CENTERS  
132 HOLES PER SQUARE INCH  
[20 HOLES PER SQ. CM]  
41% OPEN AREA



POLYLOK STAINLESS STEEL FILTER  
PART NO. 3014-SS