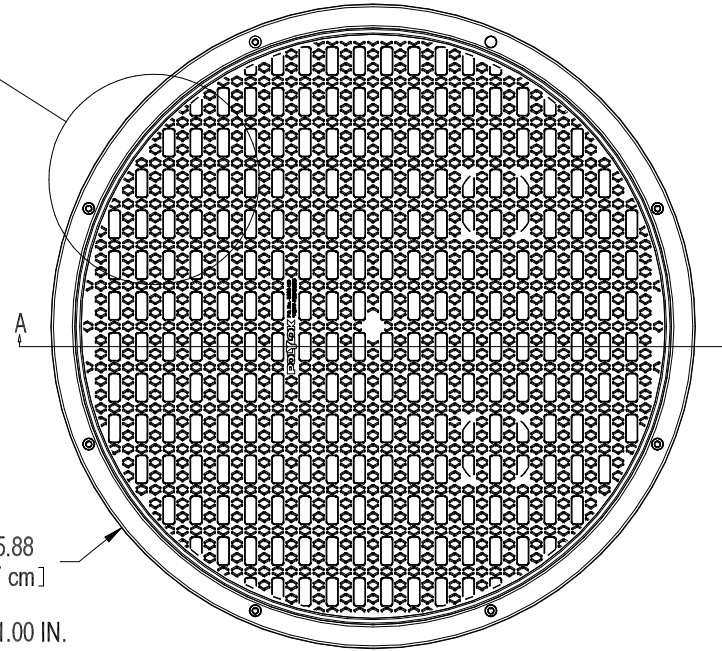
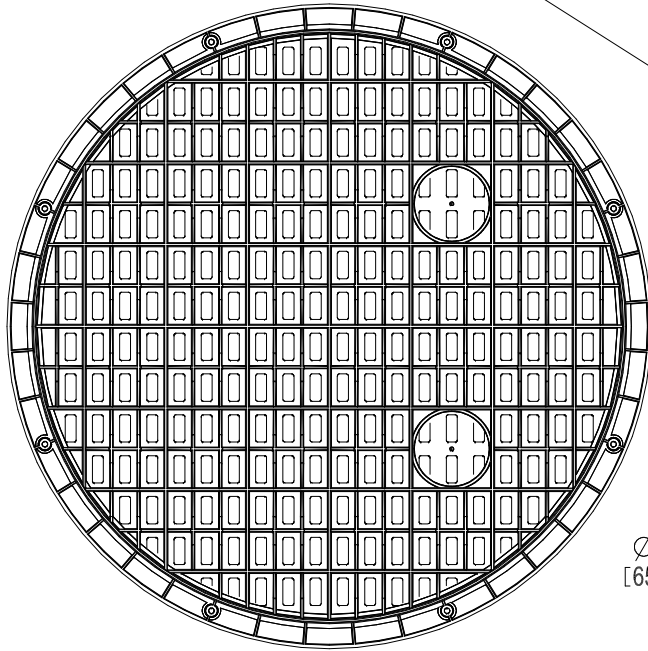
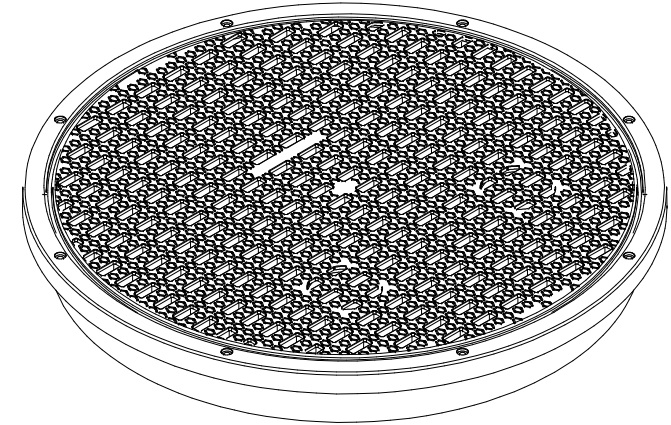


SECTION A-A



Ø25.88
[65.7 cm]

1.00 IN.
[2.54 cm]

3.16 IN.
[8.01 cm]

23.25 IN. [60.54 cm]

POLYLOK 24" GRATE
PART NO. 3008-G24
MATERIAL - HDPE
COLOR - GREEN
OPEN AREA - 110.59 SQ.IN. [713.5 SQ.CM]
FLOW RATE - 342.82 GPM

BOTTOM DETAIL FITS POLYLOK
PART NO. - 3008
3008-R12
3008-R12B
3009-AR
3009-RTR24
3008-RP
AND ALL 24" SMOOTH WALL
CORRUGATED AND RIBBED PIPE

